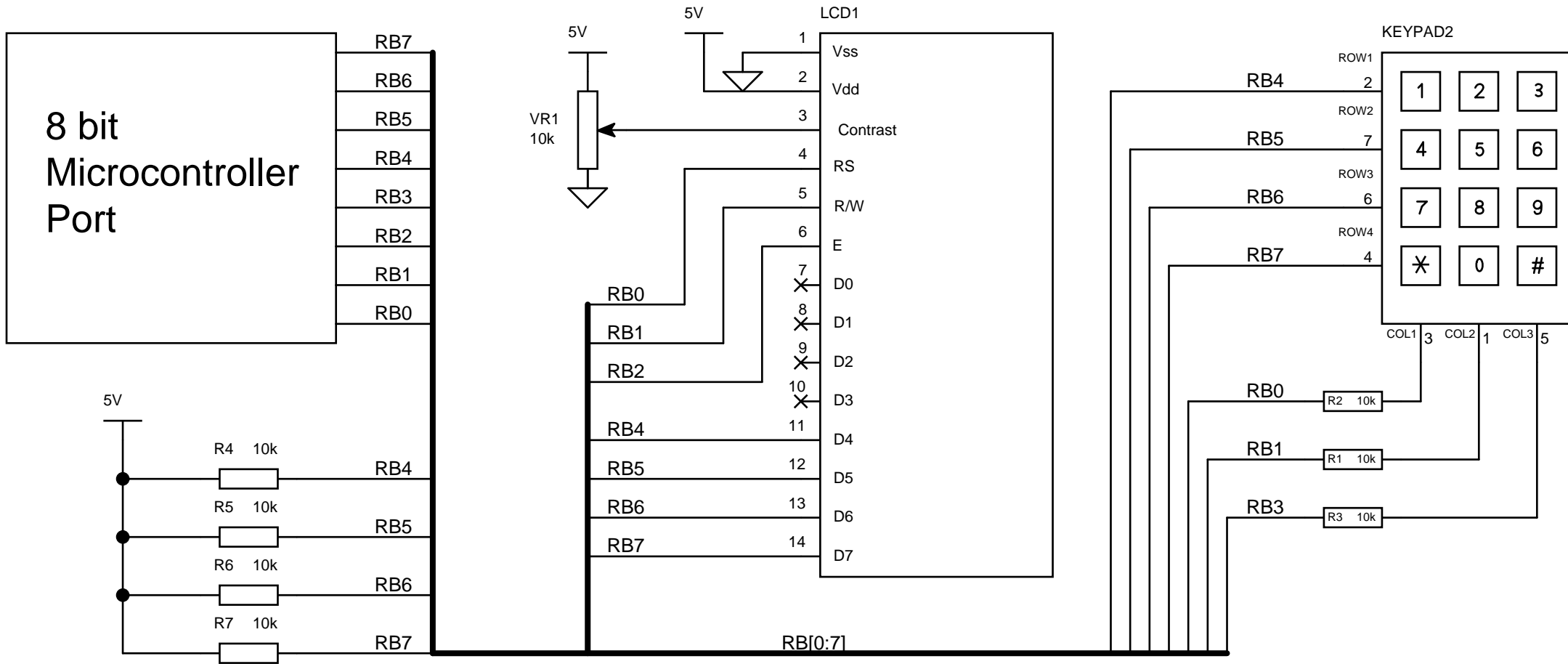


Microcontroller

LCD

KEYPAD



N.B. PORTB has internal pullups in PIC micros so resistors are not needed on this port. Shown for use on a different port.

Copyright © 2006 www.best-microcontroller-projects.com
No reproduction without permission.