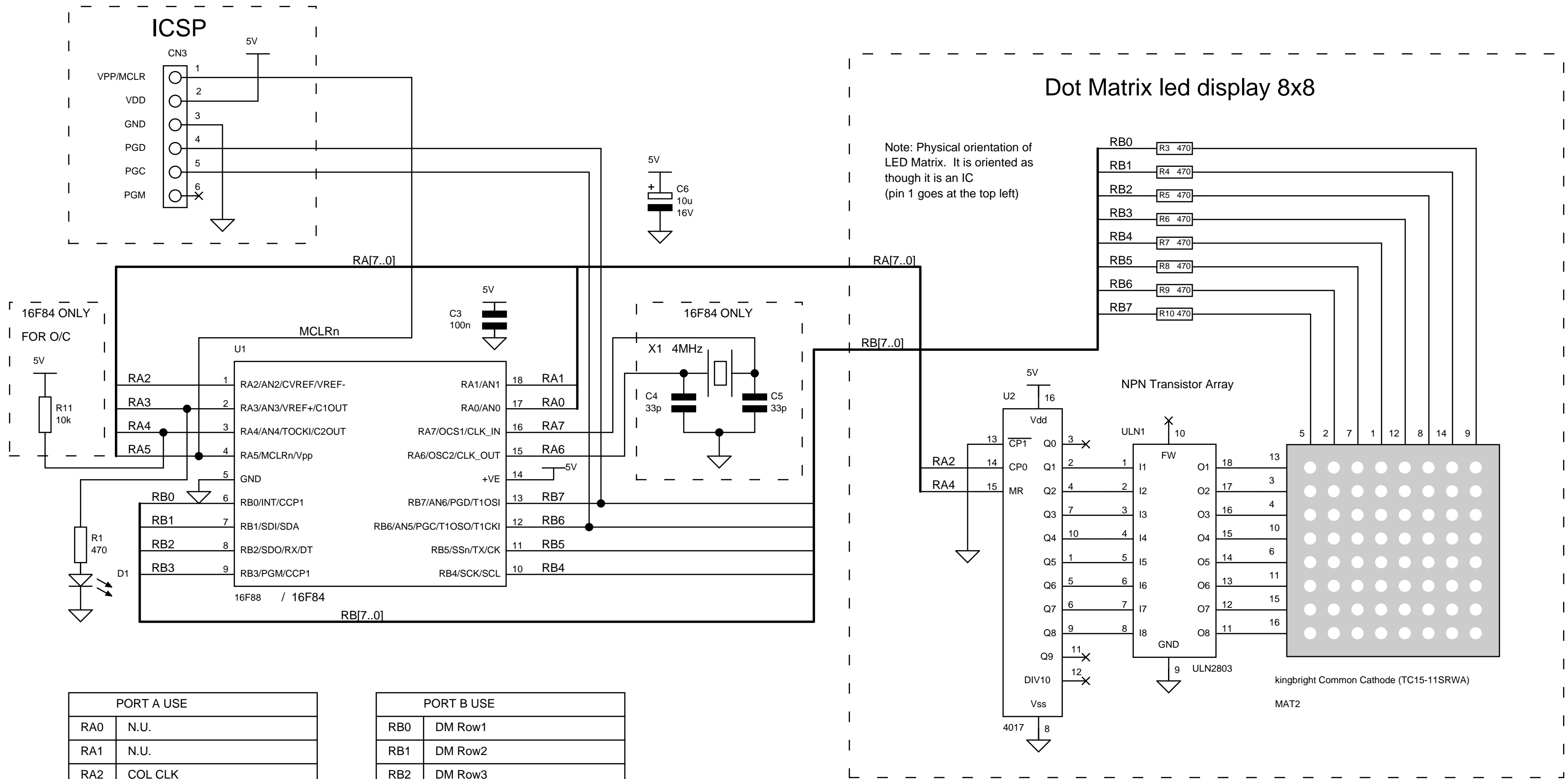


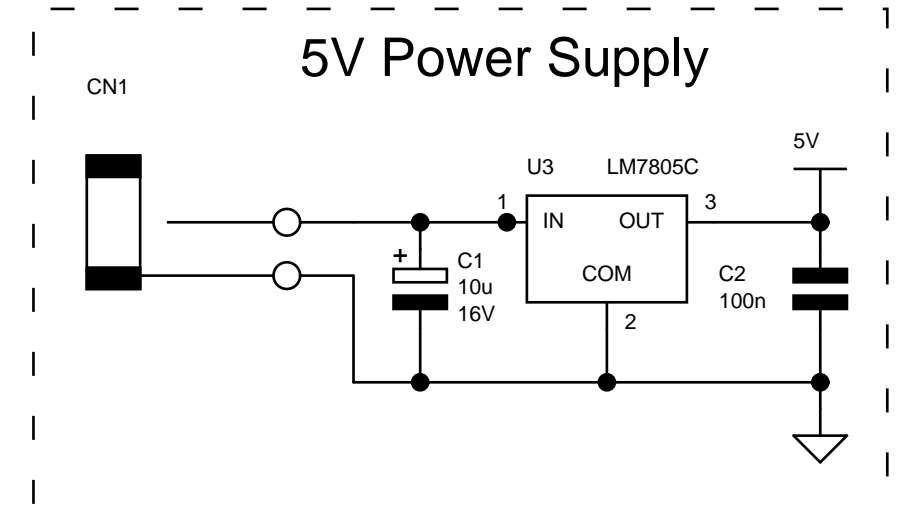
# LED Dot Matrix Display Driver



PORT A USE	
RA0	N.U.
RA1	N.U.
RA2	COL CLK
RA3	LED
RA4	COL RST
RA5	(Vpp/Input only)
RA6	xtal 16f84
RA7	xtal 16f84

PORT B USE	
RB0	DM Row1
RB1	DM Row2
RB2	DM Row3
RB3	DM Row4
RB4	DM Row5
RB5	DM Row6
RB6	DM Row7
RB7	DM Row8

Version	
1.01	Added 10k pullup to RA4 for its open collector output.
1.02	Rotate led block 90 degrees so matching what the software does. Data sheet col/row is swapped
1.03	Add power to ICSP connector so MPLAB works without setting pickit power checkbox.
1.04	Remove PGM pull down R4.



PORT A USE	
RA0	N.U.
RA1	N.U.
RA2	COL CLK
RA3	LED
RA4	COL RST
RA5	(Vpp/Input only)
RA6	xtal 16f84
RA7	xtal 16f84

PORT B USE	
RB0	DM Row1
RB1	DM Row2
RB2	DM Row3
RB3	DM Row4
RB4	DM Row5
RB5	DM Row6
RB6	DM Row7
RB7	DM Row8

Version	
1.01	Added 10k pullup to RA4 for its open collector output.
1.02	Rotate led block 90 degrees so matching what the software does. Data sheet col/row is swapped
1.03	Add power to ICSP connector so MPLAB works without setting pickit power checkbox.
1.04	Remove PGM pull down R4.

