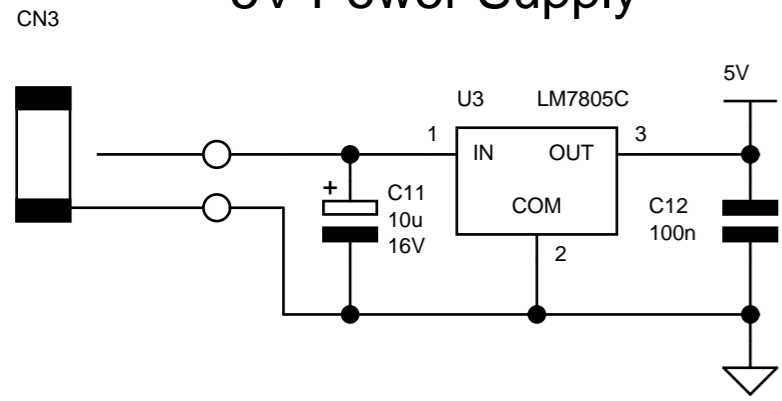
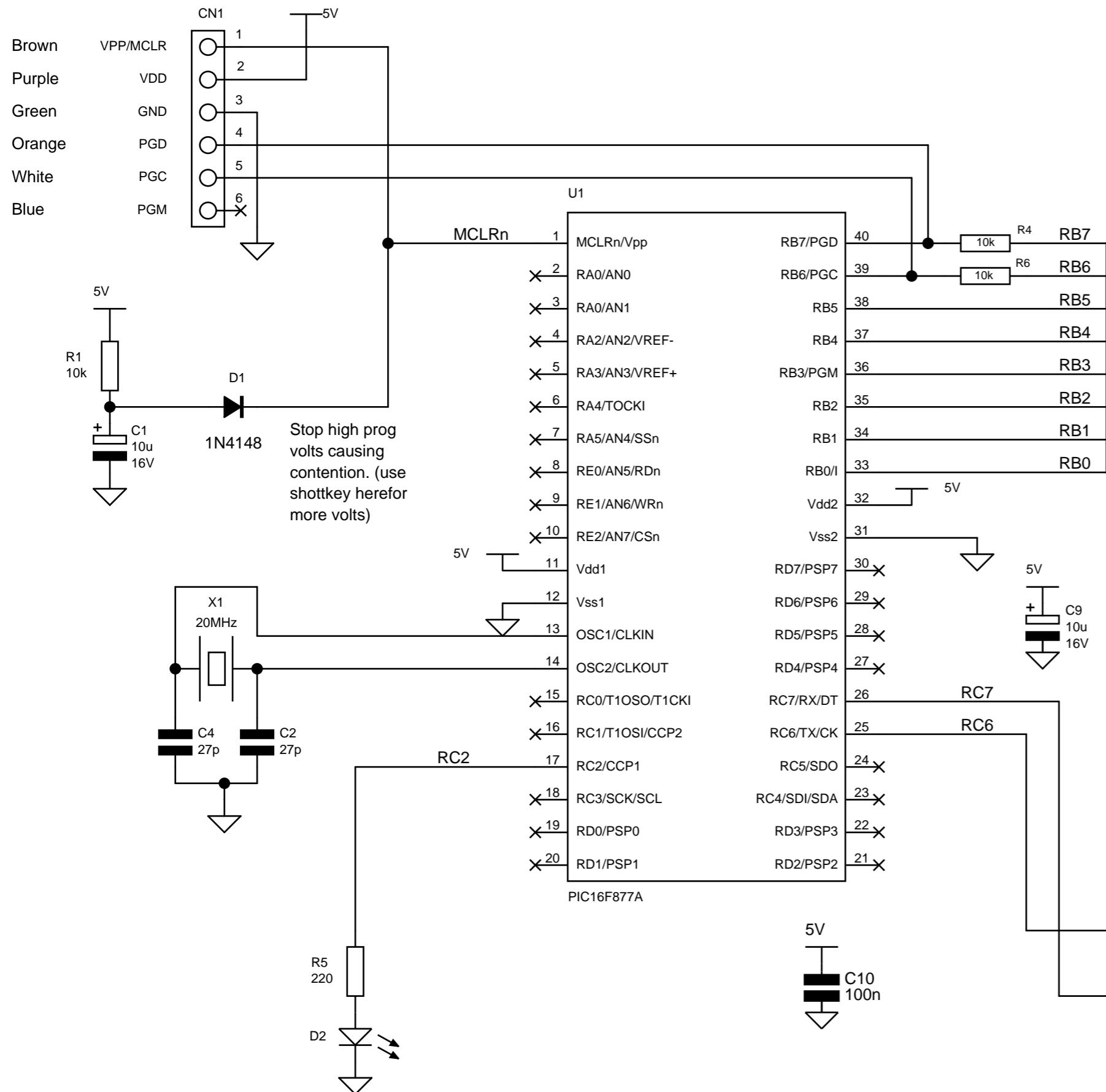
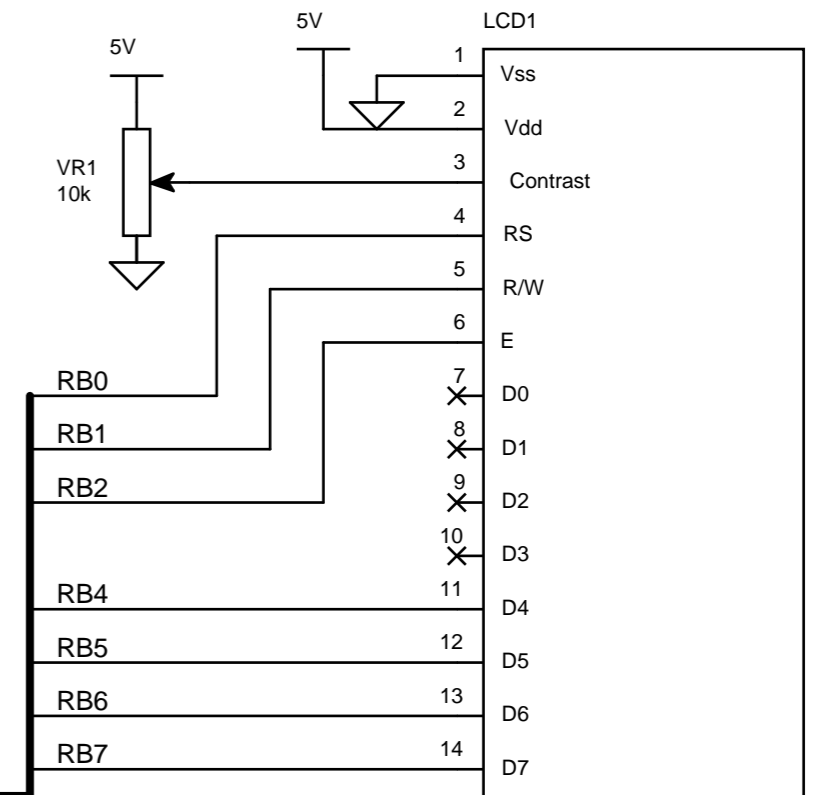


Serial LCD

5V Power Supply



LCD : HD44780



Serial interface RS232

