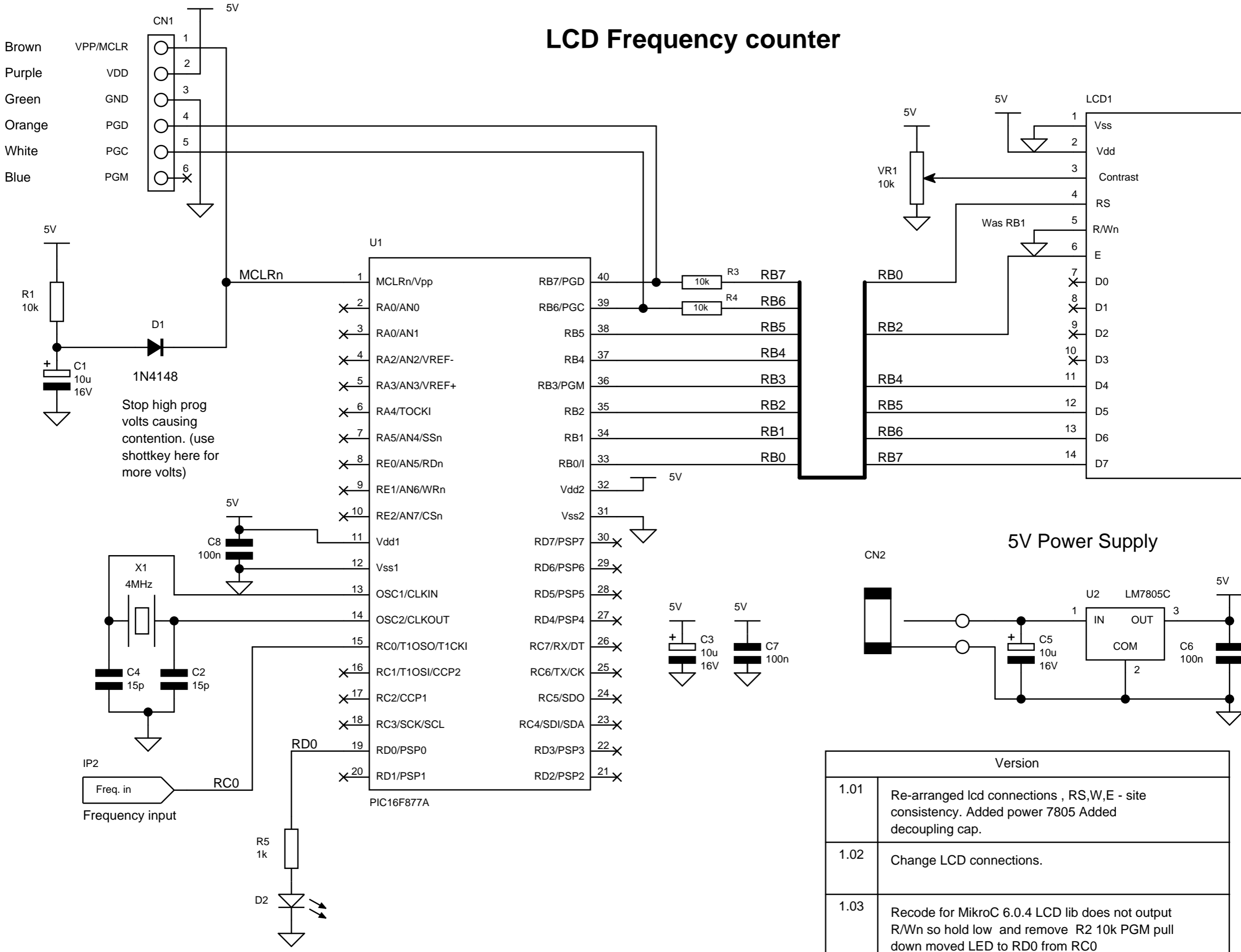
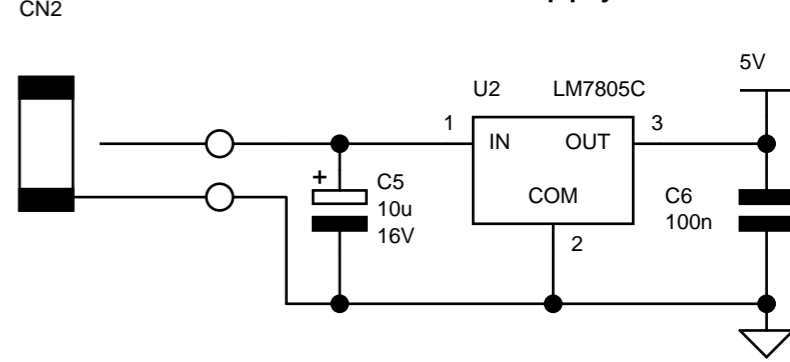


LCD Frequency counter



5V Power Supply



Version	
1.01	Re-arranged lcd connections , RS,W,E - site consistency. Added power 7805 Added decoupling cap.
1.02	Change LCD connections.
1.03	Recode for MikroC 6.0.4 LCD lib does not output R/Wn so hold low and remove R2 10k PGM pull down moved LED to RD0 from RC0