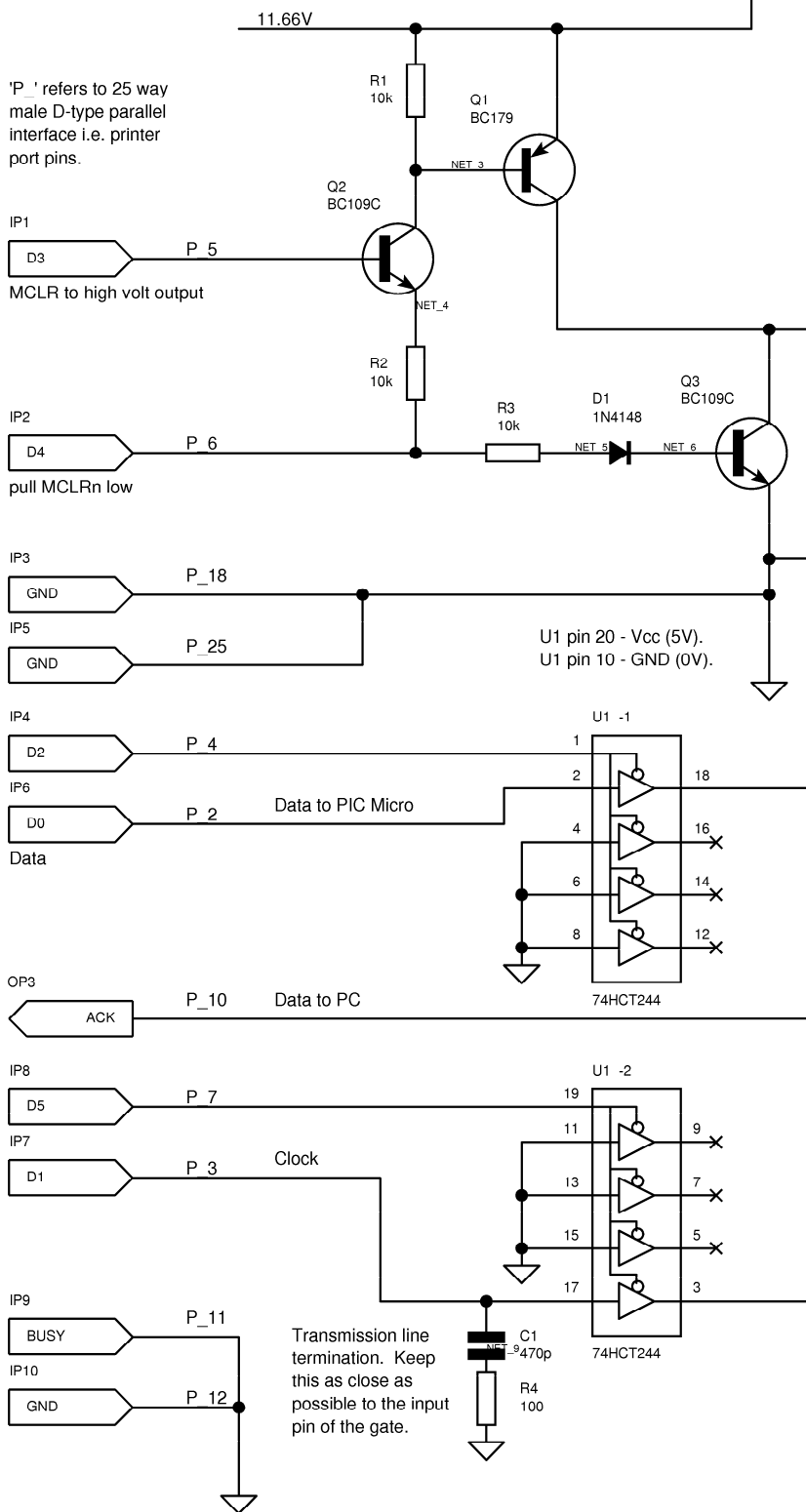
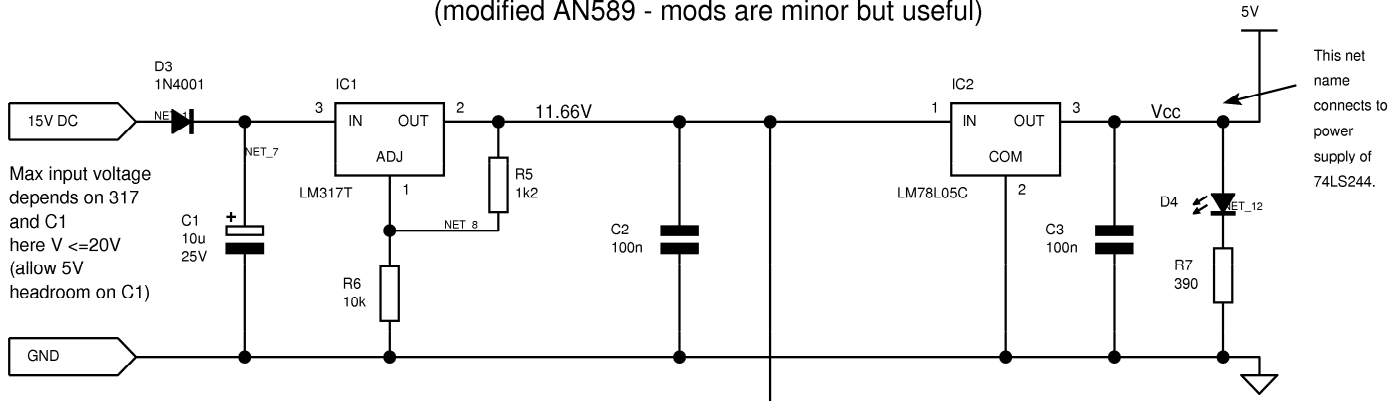
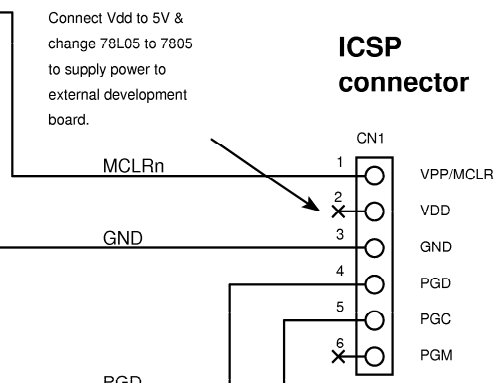


# PIC ICSP Parallel port programmer (modified AN589 - mods are minor but useful)

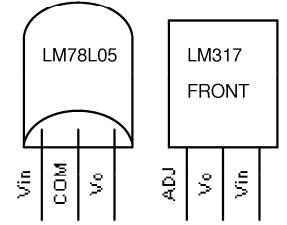


Version	
1.01	Corrected Decoupling for Voltage regulators Need large on input and small on output.
1.02	D4 upside was down.
1.03	Change prog volts lower for 18F series Vpp (R5=1k2) remove D2.
1.04	Ground unused inputs.



**ICSP connections:  
order of pins and  
usage (output from  
this board).**

Pin	Usage	My own colour scheme:
MCLRn	connected	Brown
Vcc/Vdd	not used	Purple
GND	connected	Green
PGD	connected	Orange
PGC	connected	White
PGM	not used	Blue



Copyright © 2005 www.best-microcontroller-projects.com  
No reproduction without permission.

Max input voltage depends on 317 and C1 here  $V \leq 20V$  (allow 5V headroom on C1)

'P\_' refers to 25 way male D-type parallel interface i.e. printer port pins.

MCLR to high volt output

pull MCLRn low

U1 pin 20 - Vcc (5V).  
U1 pin 10 - GND (0V).

Transmission line termination. Keep this as close as possible to the input pin of the gate.

This net name connects to power supply of 74LS244.