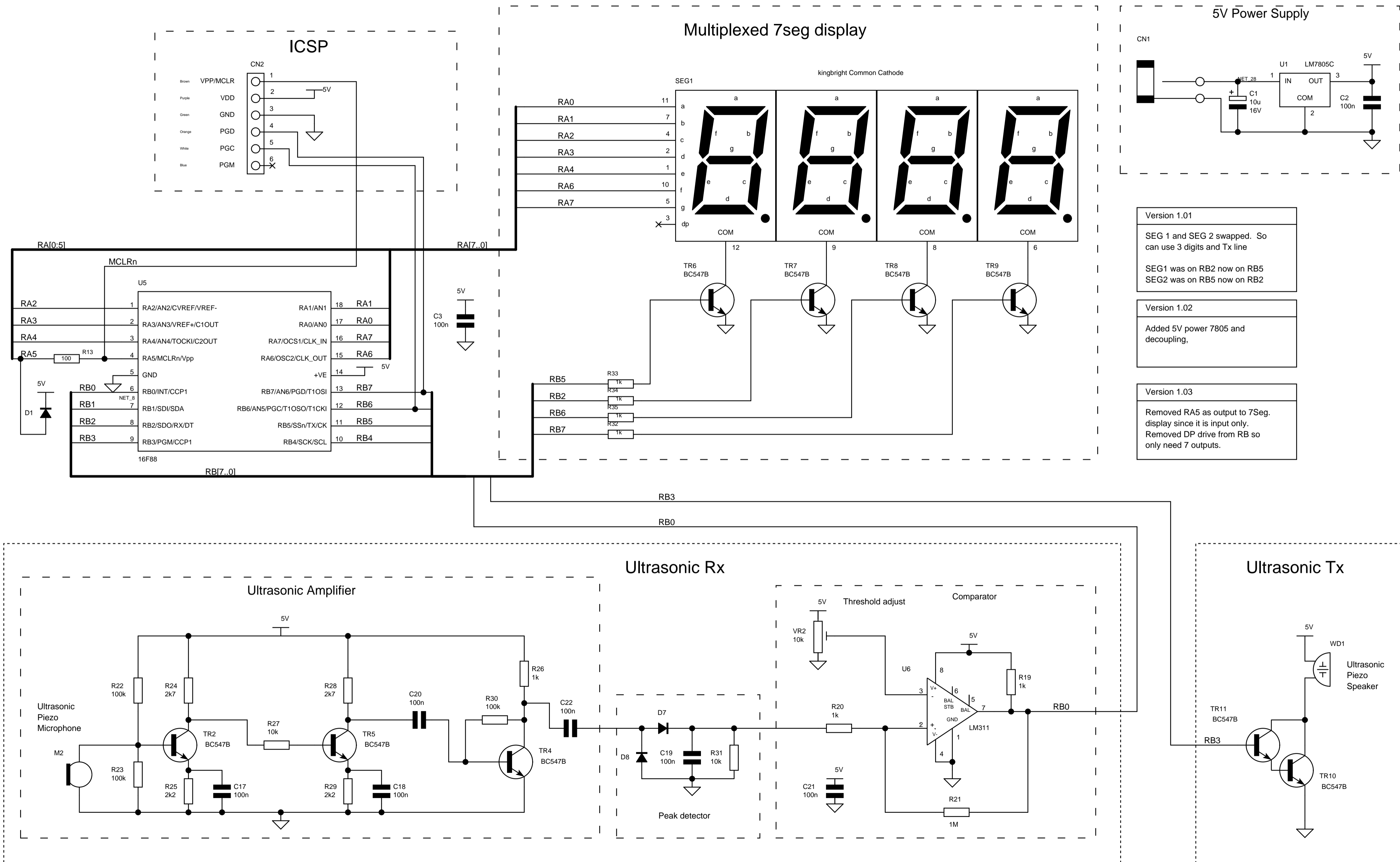


Ultrasonic range finder



- Version 1.01
SEG 1 and SEG 2 swapped. So can use 3 digits and Tx line
SEG1 was on RB2 now on RB5
SEG2 was on RB5 now on RB2
- Version 1.02
Added 5V power 7805 and decoupling,
- Version 1.03
Removed RA5 as output to 7Seg. display since it is input only.
Removed DP drive from RB so only need 7 outputs.